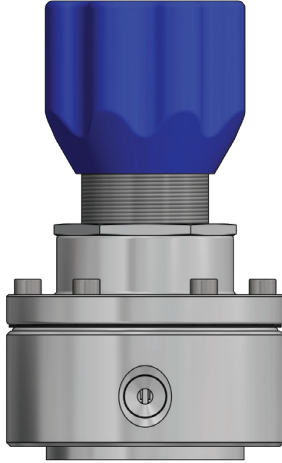


# BP010 Datasheet

BACK PRESSURE REGULATOR



Gas  Liquid |  Diaphragm  Piston |  Self-Venting  Non-Venting | Max Rating: 10 bar (145 psi) | Control Range: 5 bar (75 psi) | Cv 0.1



## INTRODUCING THE BP010...

The BP010 is an elastomeric diaphragm-sensed back pressure regulator, offering sensitive control.

Featuring a spring-loaded design, the BP010 offers a bolted bonnet for simplified servicing through its top access. In addition, its threaded bonnet comes as standard for optional panel mounting.

A sub-atmospheric version is also available which can be used to control a negative pressure upstream of the regulator - please ask for details.

## STANDARD MATERIALS OF CONSTRUCTION

PART	MATERIALS
Body and Bonnet	AISI 316/316L Stainless Steel (UNS S31600/S31603)
Main Valve Pin	AISI 316/316L Stainless Steel (UNS S31600/S31603)
Soft Seat	PCTFE
Diaphragm	PTFE-Lined Elastomeric
Handwheel	Nylon
O-Rings	FKM/FPM
Loading Spring	AISI 302 Stainless Steel (UNS S30200)

## SPECIFICATION

Max. Rating	10 bar (145 psi)
Control Range	Up to 5 bar (75 psi)
Design Proof Pressure	150% max. working pressure
Seat Leakage	In accordance with ANSI/FCI 70-3
Weight	1kg (2.2lbs)

\* Pressure regulator rating may be limited by connection type, Cv and/or seat material

## FEATURES AND BENEFITS

### 1 ELASTOMERIC DIAPHRAGM-SENSED DESIGN

For sensitive pressure control.

### 2 TEFLON™ LINED DIAPHRAGM

Offers a good chemical resistance.

### 3 BOLTED BONNET

Simplified servicing through top access.

### 4 316SS THREADED BONNET

For panel mounting option as standard.

**NOTE:** Product availability and specifications contained herein are subject to change without notice. Consult local distributor or factory for potential revisions and/or service related issues. Pressure Tech Ltd support with product selection recommendations only - it is the users responsibility to ensure the product is suitable for their specific application requirements.



DESIGNED AND BUILT IN THE UK

### PRESSURE TECH LTD

Unit 24, Graphite Way, Hadfield, Glossop, Derbyshire, UK, SK13 1QH  
T +44 (0)1457 899 307  
E sales@pressure-tech.com  
W www.pressure-tech.com

200819

PAGE:  
1 OF 4

# BP010 Datasheet

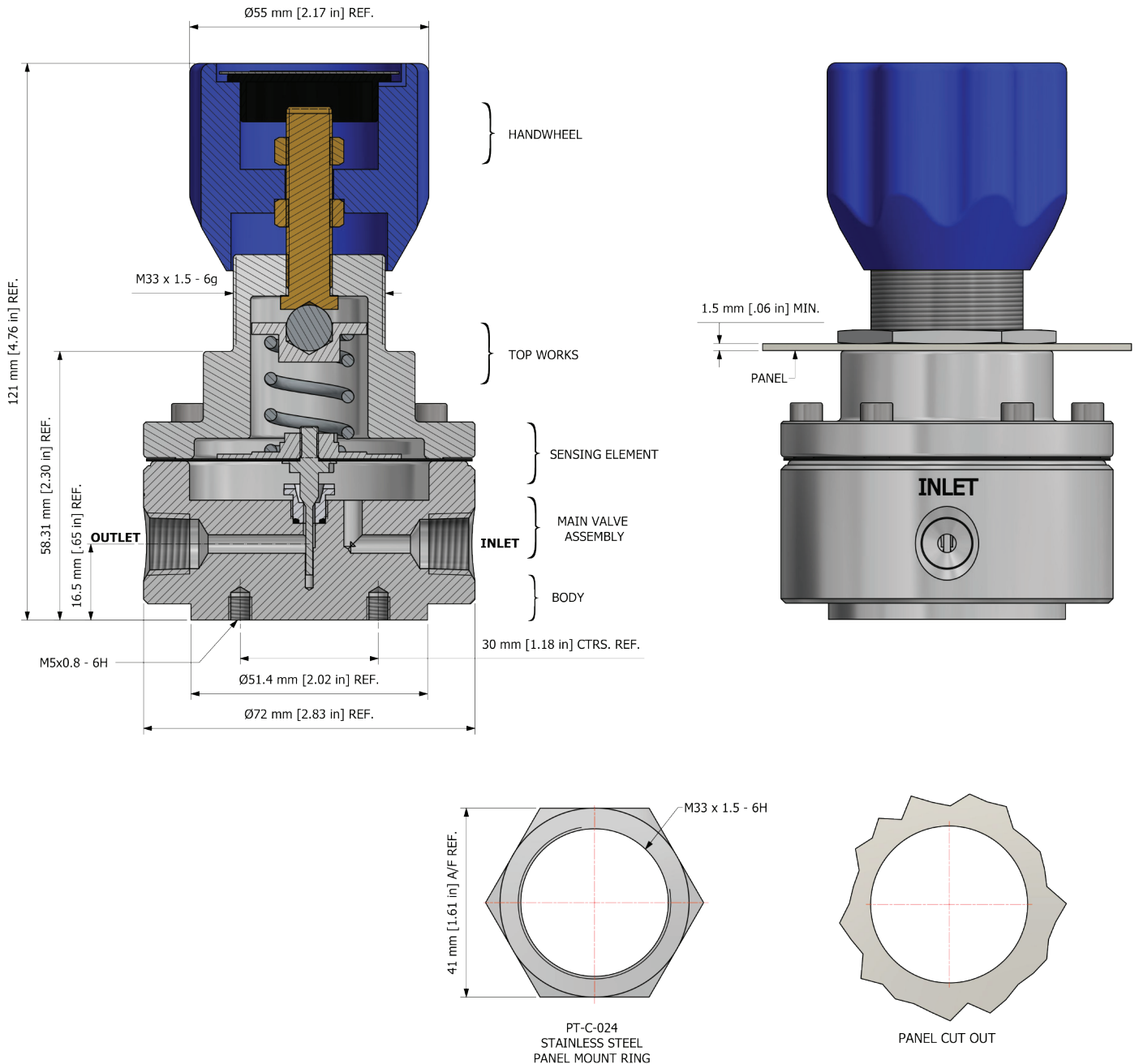
BACK PRESSURE REGULATOR



Gas  
  Liquid  
 |  
  Diaphragm  
  Piston  
 |  
  Self-Venting  
  Non-Venting  
 |  
 Max Rating: 10 bar (145 psi)  
 |  
 Control Range: 5 bar (75 psi)  
 |  
 Cv 0.1

## DRAWINGS AND INSTALLATION DIMENSIONS

Dimensions shown for 1/4" NPT option - please contact the office for additional connections options.



**Note:**

All gauge ports are 1/4" NPT as standard.

**NOTE:** Product availability and specifications contained herein are subject to change without notice. Consult local distributor or factory for potential revisions and/or service related issues. Pressure Tech Ltd support with product selection recommendations only - it is the users responsibility to ensure the product is suitable for their specific application requirements.



DESIGNED AND BUILT IN THE UK

**PRESSURE TECH LTD**  
 Unit 24, Graphite Way, Hadfield, Glossop, Derbyshire, UK, SK13 1QH  
 T +44 (0)1457 899 307  
 E sales@pressure-tech.com  
 W www.pressure-tech.com

200819

PAGE: 2 OF 4

# BP010 Datasheet

BACK PRESSURE REGULATOR

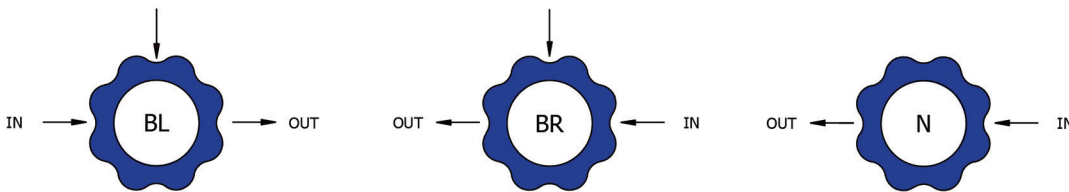


Gas  Liquid |  Diaphragm  Piston |  Self-Venting  Non-Venting | Max Rating: 10 bar (145 psi) | Control Range: 5 bar (75 psi) | Cv 0.1

## FLOW CURVE

Please contact the office for further information.

## PORTING CONFIGURATIONS



*Note:*

Additional porting configurations are available - please contact the office for further information.

**NOTE:** Product availability and specifications contained herein are subject to change without notice. Consult local distributor or factory for potential revisions and/or service related issues. Pressure Tech Ltd support with product selection recommendations only - it is the users responsibility to ensure the product is suitable for their specific application requirements.



DESIGNED AND BUILT IN THE UK



### PRESSURE TECH LTD

Unit 24, Graphite Way, Hadfield, Glossop, Derbyshire, UK, SK13 1QH  
T +44 (0)1457 899 307  
E sales@pressure-tech.com  
W www.pressure-tech.com

200819

PAGE:  
3 OF 4

# BP010 Datasheet

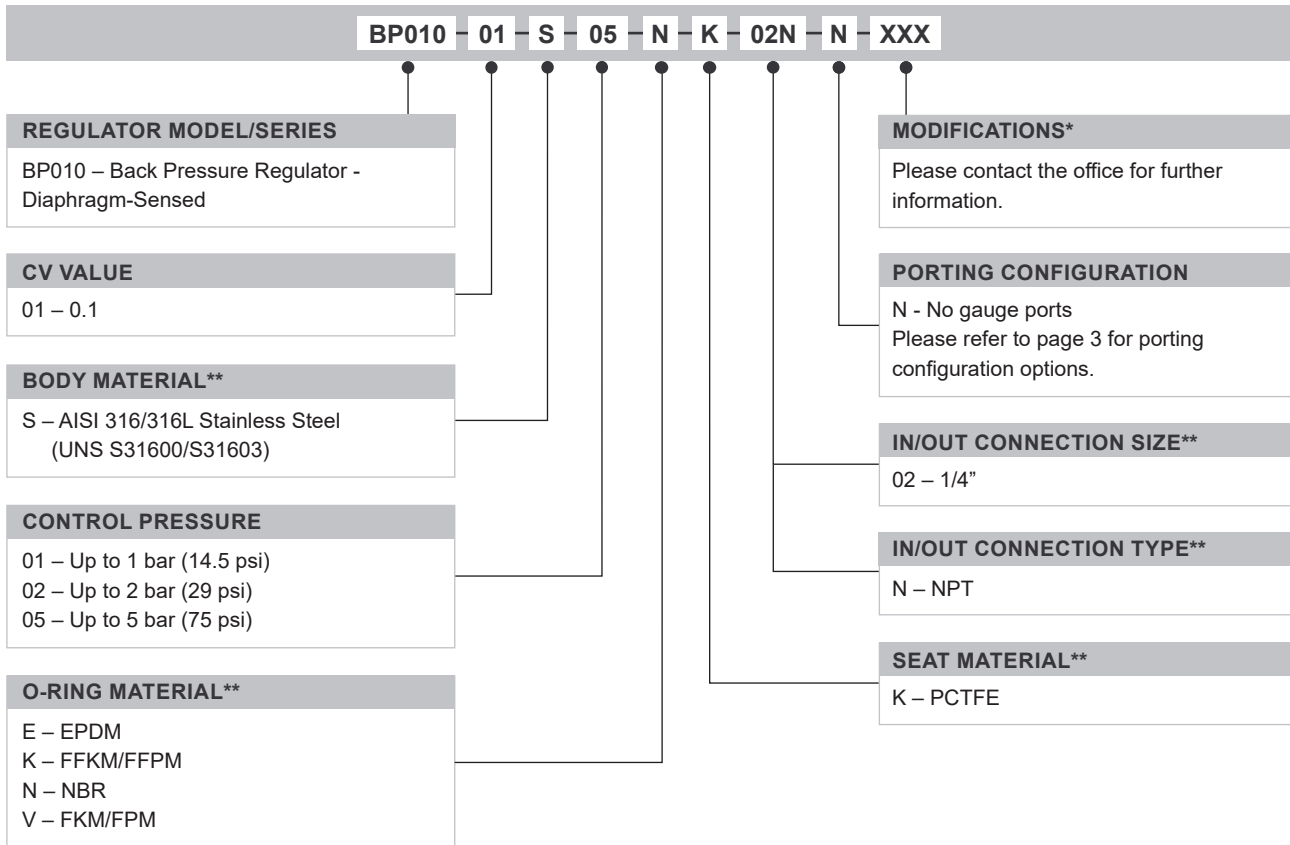
BACK PRESSURE REGULATOR



Gas  
  Liquid  
 |  
  Diaphragm  
  Piston  
 |  
  Self-Venting  
  Non-Venting  
 |  
 Max Rating: 10 bar (145 psi)  
 |  
 Control Range: 5 bar (75 psi)  
 |  
 Cv 0.1

## ORDERING INFORMATION

To build a Pressure Tech part number, simply combine the characters identified below in sequence:



OPTIONAL EXTRAS		
	PART NUMBER	DESCRIPTION
Service Kit	SRK-BP010...	Various options available
Panel Mounting Ring	PT-C-024	Stainless Steel panel mount ring

*Note:*  
Ancillary equipment also available

\* Where applicable  
\*\* Other materials/connections may be available - please contact the office

**NOTE:** Product availability and specifications contained herein are subject to change without notice. Consult local distributor or factory for potential revisions and/or service related issues. Pressure Tech Ltd support with product selection recommendations only - it is the users responsibility to ensure the product is suitable for their specific application requirements.



DESIGNED AND BUILT IN THE UK

**PRESSURE TECH LTD**  
 Unit 24, Graphite Way, Hadfield, Glossop, Derbyshire, UK, SK13 1QH  
 T +44 (0)1457 899 307  
 E sales@pressure-tech.com  
 W www.pressure-tech.com

200819

PAGE:  
4 OF 4